

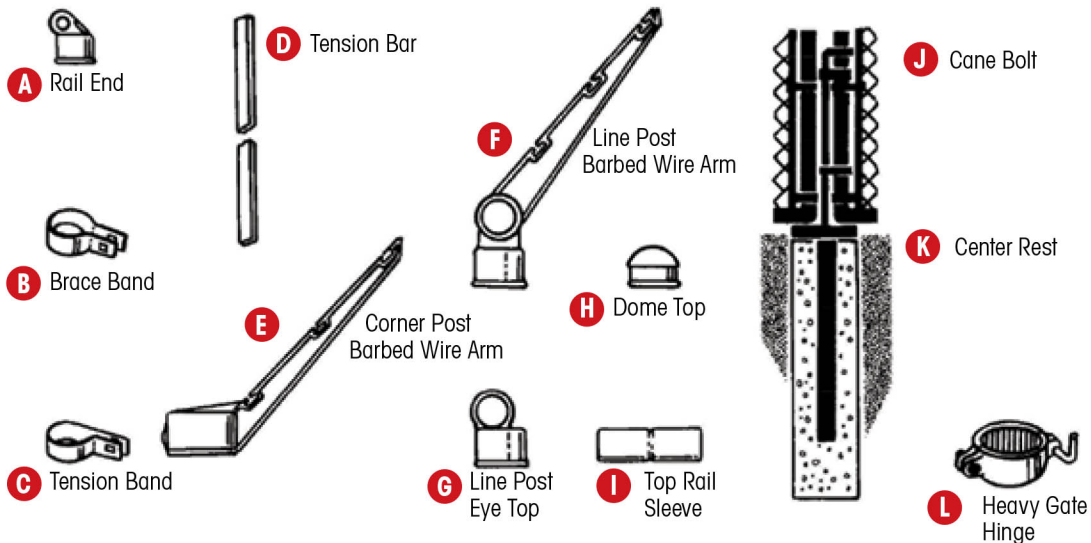
Strictly Fences Ltd.

MAILING ADDRESS: P.O. Box 1146
 Moose Jaw, SK S6H 4P8
 Phone: (306) 692-4303
 Fax: (306) 692-3153

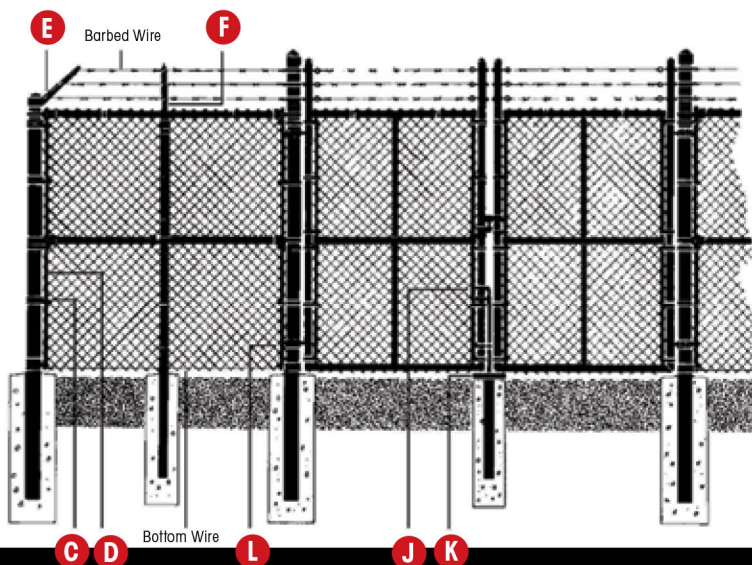
OFFICE ADDRESS: 1845 Paul Drive

www.strictlyfences.com

Industrial Fence Components Chart



Double Gate – With 3 strands of barbed wire



Single Gate

